

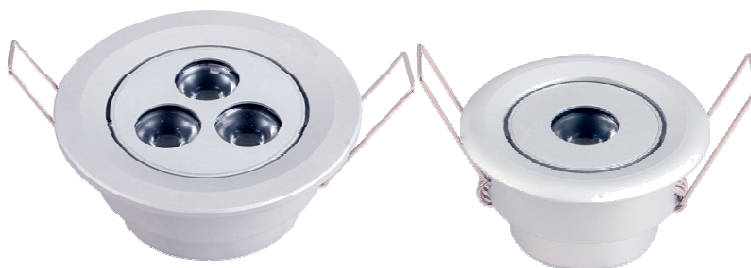
AMBIENART LED CEILING SPOTLIGHT

AVAILABLE IMMEDIATELY!

Complete integrated spotlights (down lights) for attractive decorative lights with high-power LEDs and integrated passive cooling. The compact dimensions enable universal use, for instance in suspended ceilings, wooden panels or plasterboards, shelves, furniture etc.

TECHNICAL DATA

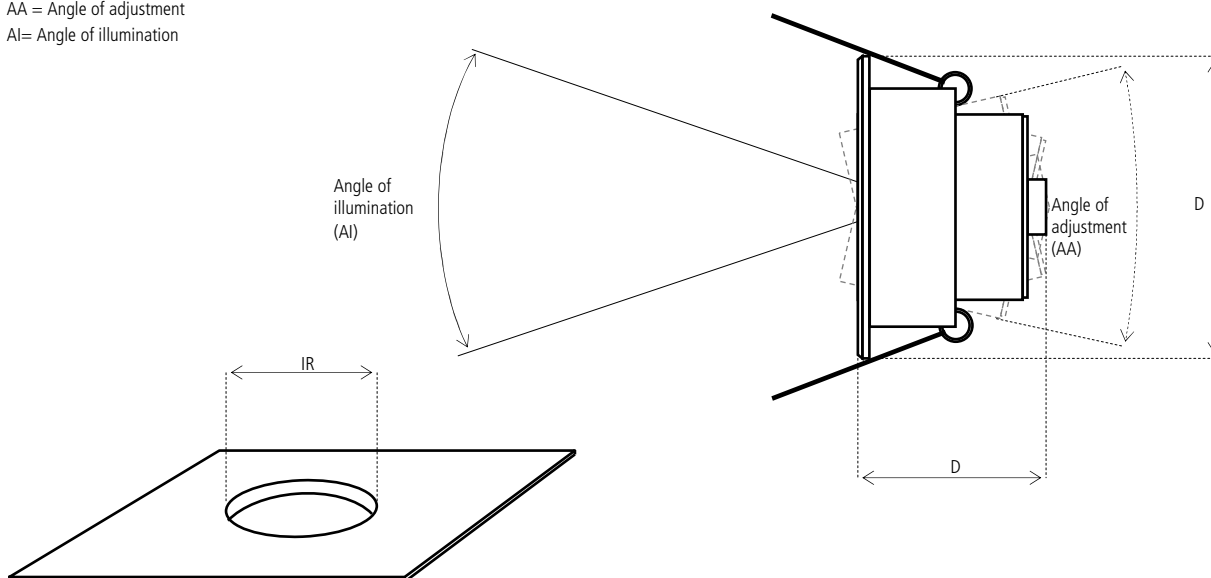
- Energy-saving LED technology
- Integrated passive cooling
- Compact dimensions
- 25 cm connection cable with screw clamp
- Adjustable tilting angle
- High-quality lens for concentrating light
- Tension spring for easy snap in assembly



AMBIENART LED CEILING SPOTLIGHT

ITEM NO.	DESCRIPTION	DI	DE	IR	AA	AI	BRIGHTNESS TYPE	COLOUR TEMP.	SRP
0016201	A-type LED ceiling spotlight 350 mA/1 W WHITE	66	42	58	25°	30°	70 lm	6500 k	35,00
0016202	A-type LED ceiling spotlight 350 mA/1 W WARM WHITE	66	42	58	25°	30°	60 lm	3000 k	35,00
0016203	A-type LED ceiling spotlight 350 mA/3 x 1 W WHITE	86	40	72	25°	30°	180 lm	6500 k	59,00
0016204	A-type LED ceiling spotlight 350 mA/3 x 1 W WARM WHITE	86	40	72	25°	30°	130 lm	3000 k	59,00

DI = Diameter
 DE = Depth
 IR = Installation recess
 AA = Angle of adjustment
 AI = Angle of illumination



CONNECTION:

The LED ceiling spotlights may ONLY be operated with suitable 350 mA converters. They are switched in series when several ceiling spotlights are connected. The converter must be designed for the number of the ceiling spotlights! Observe the polarity!

